

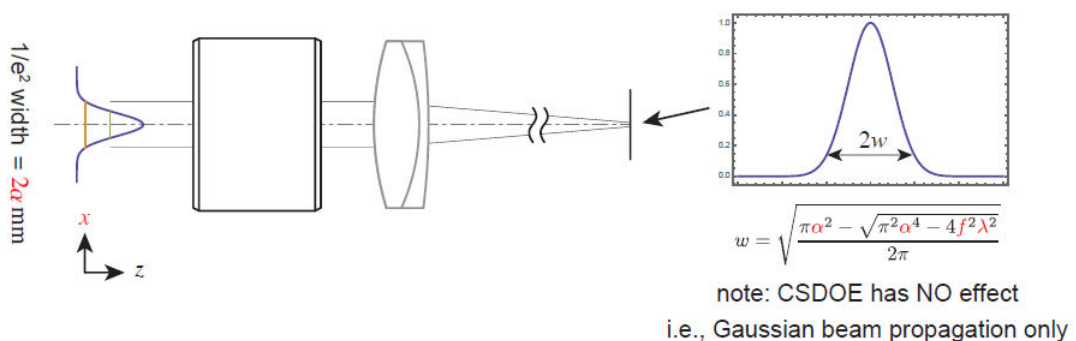
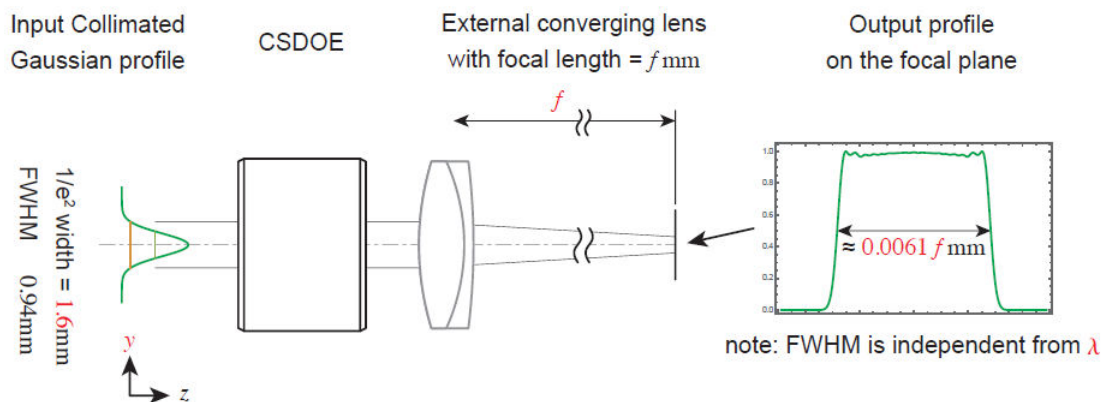
Lens Module: AED-014160-GAB001

Absolute maximum ratings

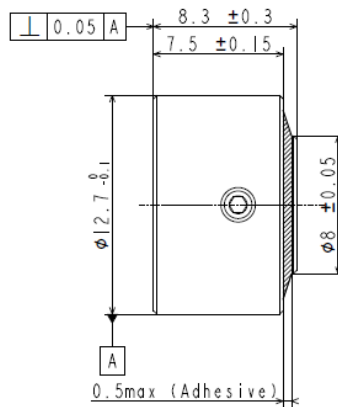
Item	Rating
Maximum input power	1 W/cm ²

Optical characteristics (T housing=25°C)

Item	spec	Remarks
Operating wavelength range	360 ~ 1300 nm	transmitting range of glass
	450 ~ 700 nm	coating range T < 2%@surface
Efficiency	> 99.0 %	except surface reflection
Flatness (CV)	< 3 %rms	CV=σ / x (ave.)
Fake spot intensity	0.0 %	no fake spots

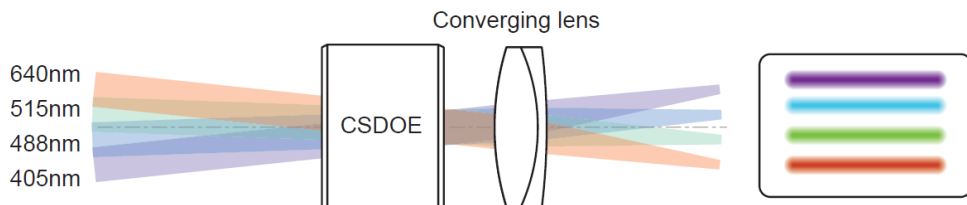


Dimension



Application examples : Flow cytometry

Item	spec	Remarks
Focal length of converging lens	30 mm	
Line length	180 μ m	FWHM
Line width	15 μ m	Gaussian profile (1/e ²)



Intensity profiles

focal length of converging lens = 30mm

